

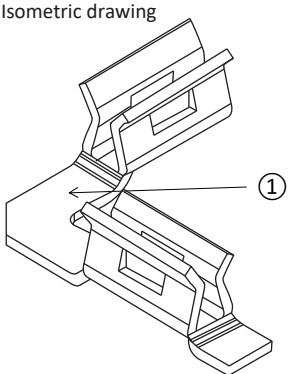
TECHNICAL DRAWING TCC



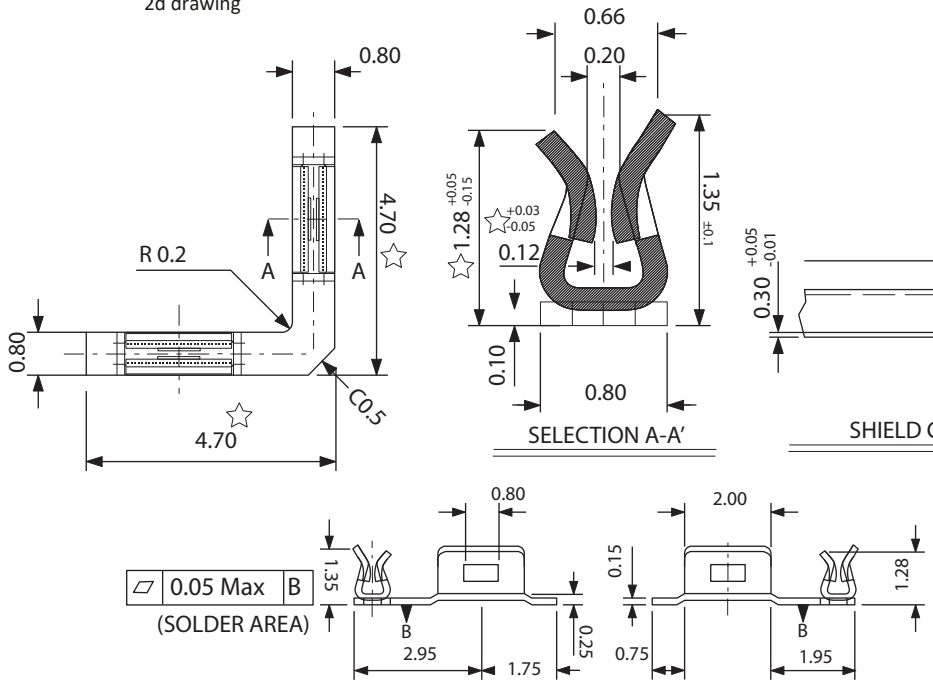
Drawing Number: 14464

All dimensions in mm

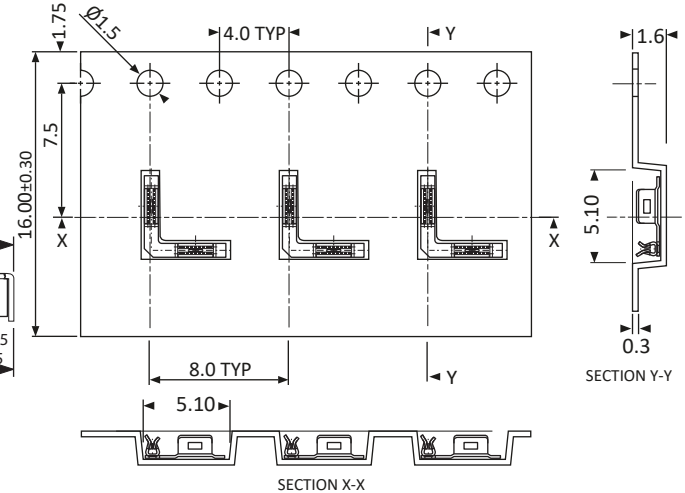
Need to scale



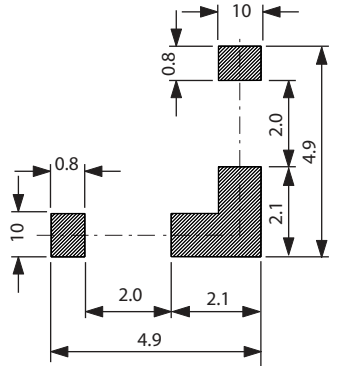
2d drawing



Plastic Carrier specification (Antistatic material)

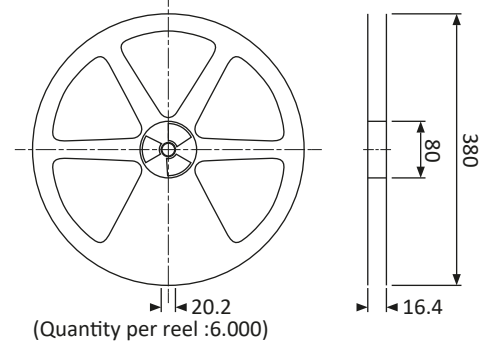


Recommended solder land size



Soldering Land Pattern 0.1T

Plastic reel drawing



Note

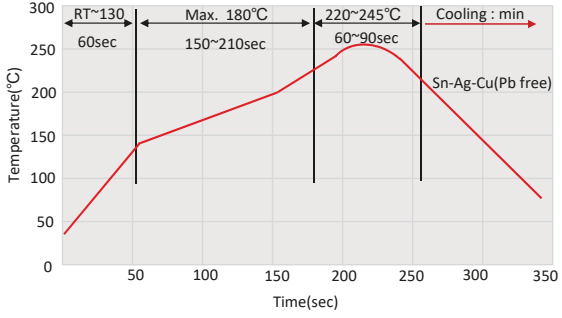
1. Material : Stainless steel SUS301-1/2H
2. Finish : Ni / Sn Plating
3. Mechanical characteristics :
 - Insertion force : 0.1~2.0 kgf
 - Withdrawal force : 0.1~2.0 kgf
 - Durability : 10 Insertions Minimum.
 - Contact resistance : 100mΩ Max.
 - Shield thickness : 0.20mm ~ 0.25mm
4. Environmental characteristics :
 - Operating temperature range : -25°C TO +150°C
 - Storage temperature range : -40°C TO +85°C
 - Salt spray test : None corrosion. Meet Eu-RoHS

This specification will be changed without previous notice)

Characteristics of each material

No.	Material Name	Specification	Material
1	Stainless steel	Thickness : 0.15 ± 0.01	SUS 301-1/2H

Reflow soldering condition



Holland Shielding Systems BV

Jacobus lipsweg 124
3316BP Dordrecht
the Netherlands

E-mail: info@hollandshielding.com
Phone: +31 (0)78 - 613 13 66
Fax: +31 (0)78 - 614 95 85

Title: Drawing Tiny Corner clip
Drawing: Tiny Corner clip
Number: 14464
Date: 12-05-2014
Drawing by: Christian van Vugt
Finish: Tin/Lead
Dimension classification: ★Critical
 ▼Major
 () Reverence
Tolerance: .X ±0.25
 .XX ±0.10