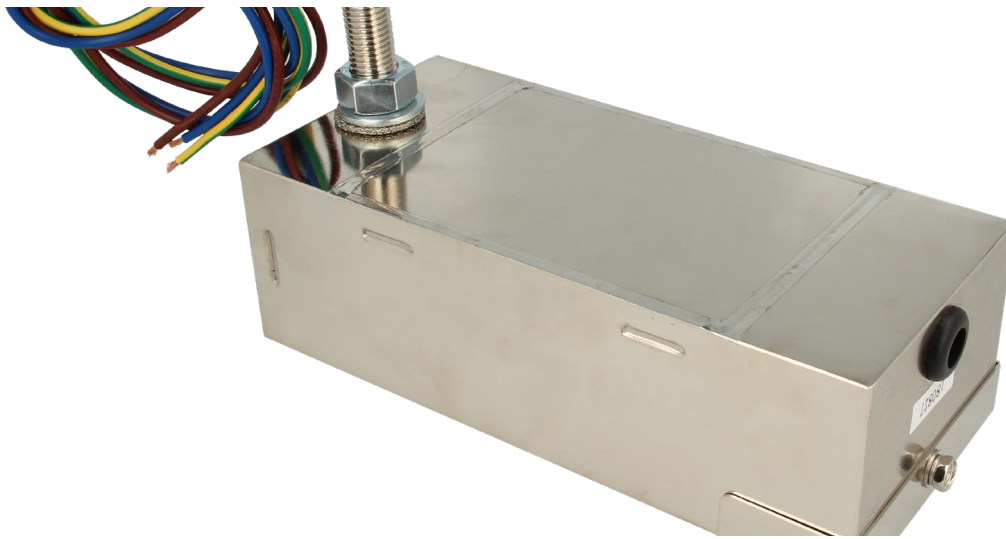




POWER LINE FILTERS FOR SHIELDED CABINET 8050

Designed for well grounded shielded cabinet with rated voltage of 250VAC/50Hz. Shielding performance: 100dB @ 14 kHz - 40 GHz (MIL-STD-285)



The 8050 series Power line filters for shielded cabinets is a superior filter housed in a two compartment casing that achieves 100 dB insertion transmission loss at 14 kHz till 40 GHz. The circuit is designed as a double- circuit with high quality rod cores providing inductance. These cores do not saturate due to their large air gap and they are insensitive to asymmetrical load.

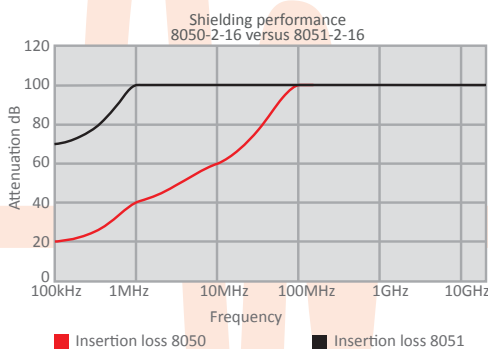
This series of power line filters is specially designed for well grounded shielded cabinet with rated voltage of 250VAC/50-60Hz. It is compact and in compliance with Class B and C standards for shielded cabinet. The 8050 series is particularly suitable to be used on MRI rooms.

This series is only offered as a two line filter (phase and neutral).

AVAILABLE DIMENSIONS

Type	IR (A)	I Leakage (mA) *	Outline drawing	Shielding Effectiveness (dB)
8050-2-16	2x16	<3	1	100 dB, 14 kHz- 40 GHz
8050-2-32	2x32	<5	2	
8051-2-16	2x16	<3	1	

SHIELDING PERFORMANCE



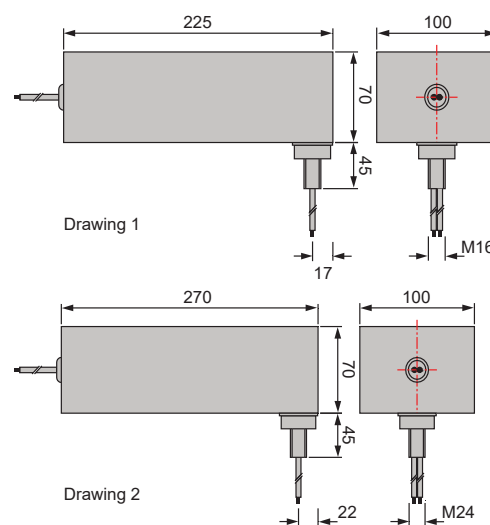
ADVANTAGES

- High attenuation level for lower frequencies
- Suitable for use under extreme conditions (military applications)
- Wear resistant
- Insensitive for corrosion

APPLICATIONS

- Shielded rooms
- Shielded chambers
- Anechoic chambers
- Military application

DIMENSIONAL DIAGRAMS



ORDER EXAMPLE

Series
8050-2-16
8050-2-32
8051-2-16