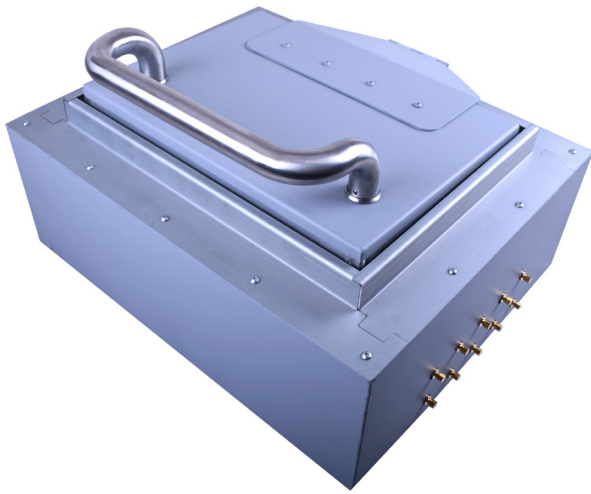




## High performance EMI RF shielded boxes

---



*High performance RF shielded box open*

This EMI/RFI Shielded box has up to 120dB reduction of RF signals up to 5 GHz. This makes the shielded box ideal for the testing of cellular handsets, RFID, Bluetooth, Zigbee, WiMax, WLAN or similar wireless devices. The box can be constructed in any size required.

The mobility makes the box well suited for forensics when the current state of an electronic device needs to be frozen by blocking all wireless contact with the outside world.

By default, this box comes with 10 shielded SMA penetrations. Many other shielded conduits are available on request. They may optionally also be added later on the filter plate at the rear of the box.

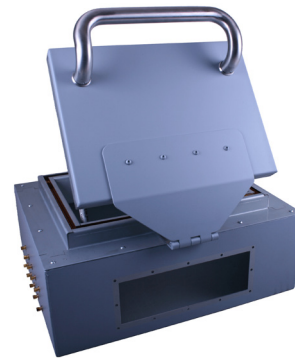
### Applications

- Digital forensics
- Wireless testing
- R&D
- EMC Testing

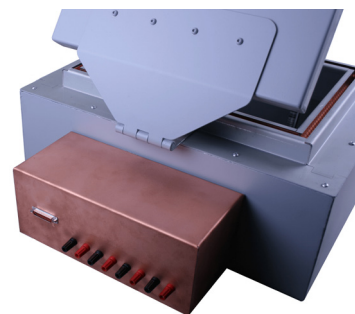
### Options (on request)

The box can be equipped with shielded power filters for power connection in the box while still blocking all wireless signals. In addition the box can be equipped with any or all of the following options:

- Shielded ventilation panels for heat transportation
- Shielded window to maintain visual contact with the devices
- Coaxial feed-throughs / Signal filters
- Ethernet connection



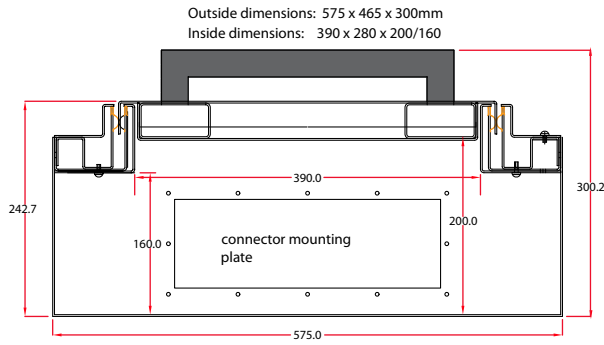
*By default, the box is provided with a filter plate at the rear of the box. In the picture above this plate has not yet been installed. This plate is meant to optionally add filter(s) immediately or later.*



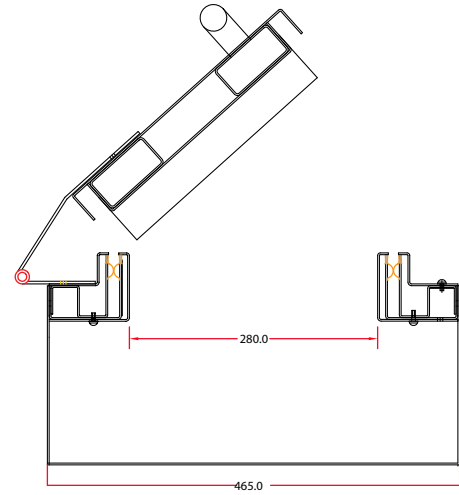
*Example of a shielded box equipped with a filter customized for the client.*

# High performance EMI RF shielded boxes

## Technical drawings



High performance shielded box Technical drawing front view



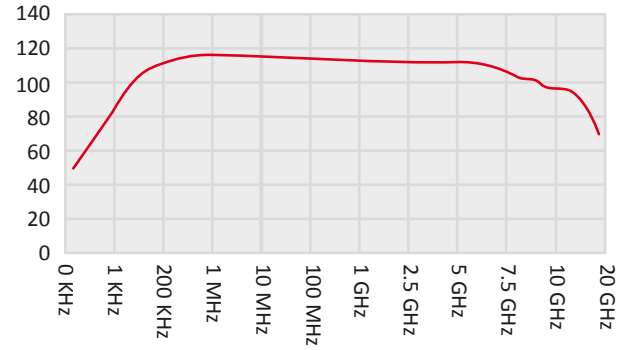
High performance shielded box Technical drawing side view

## How to order

When you want to order High performance shielded boxes please specify the part number as follow:

Product	Width (mm)	Length (mm)	Height (mm)
HP shielded box	390	280	200
HP shielded box stands for High Performance shielded box	Specify the width of the available space on the inside of the box	Specify the length of the available space on the inside of the box	Specify the height of the available space on the inside of the box

## Shielding performance (dB)



Values are measured under laboratory conditions.

In your situation results may differ, please read our Guarantee.

## Sizes

Inside: 280x390x200/160mm

Other sizes on request